



MANUAL
GPS-TRACKER 07 WITH ONLINE LOCATING



Thank you for purchasing our GPS tracker 07. Before starting you should read the manual. Please keep the manual for reference purposes.

Directory

1.	Scope of Supply	3
2.	Product Graphics	4
3.	Operating	5
3.1.	Installation.....	6
3.2.	Switch on	9
3.3.	Use	10
3.4.	Meaning of the LED lights	11
4.	Technical Details.....	13
5.	Safety notes.....	14
5.	NOTE TO THE DISPOSAL OF USED BATTERIES	23
6.	NOTE FOR THE DISPOSAL OF ELECTRONIC DEVICES.....	25

1. SCOPE OF SUPPLY

The scope of supply is:

- GPS-Tracker 07 from Salind
- M2M-SIM card
- cable harness
- Double-sided adhesive foam

Note: You can find the recent manual here:

www.salind-gps.de/bedienungsanleitung

Have fun with your GPS tracker from Salind!

2. PRODUCT GRAPHICS



LED signals

GPS-Tracker by Salind with ONLINE locating EN
© Salind UG (haftungsbeschränkt)

3. OPERATING

Please note the following points before connecting to the car battery:

- SIM card is in the GPS tracker
- The GPS tracker should not be attached to fuel lines or other combustible components.
- No other components on your vehicle should be damaged by the fastening.
- By installing the GPS tracker on the vehicle battery, it is possible to discharge the battery to power the GPS tracker. Before connection, check whether your vehicle has a discharge protection and retrofit it if necessary. In idle mode the GPS-Tracker needs about 10-20 mAh.

Please always observe the manufacturer's specifications for your vehicle. Claims for

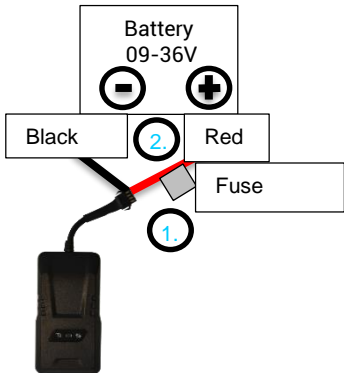
compensation due to incorrect connections
are hereby excluded.

3.1. Installation

Please proceed as follows when connecting to your car battery. The following illustration serves as an aid.

1. Connect the GPS tracker to the cable harness using the black plug function.
2. Connect the device to the battery. The red cable with the fuse on (+). The black cable to minus (-).
Warning! The poles should not be swapped.

Note: By connecting to the power supply, the GPS tracker switches on immediately and the LED lights give a signal.



GPS-Tracker by Salind with ONLINE locating EN
© Salind UG (haftungsbeschränkt)

3.2 Activation

To use the tracker you have to activate it online. You have to use the software of PAJ GPS for this.

Go to the following link

start.finder-portal.com
and follow the instructions.



GPS-Tracker by Salind with ONLINE locating EN
© Salind UG (haftungsbeschränkt)

3.2. Switch on

If the activation was successful, you can start the GPS tracker.

By connecting to the power supply, as previously done in section 3. 1, the GPS tracker has already turned on.

It is recommended that you start your GPS tracker for the first in time on locations which are not covered.

3.3. Use

As soon as the activation was successful, you can show your position via your mobile or an PC. Use the following link or our app.

www.finder-portal.com



The portal will support you at every step.

3.4. Meaning of the LED lights

Green LED - GPRS Status

SIGNAL	MEANING
The green LED is off	Standby mode
The green LED is constantly sparkling.	GSM signal is available.

Blue LED - GPS Status

SIGNAL	MEANING
The blue LED is constantly sparkling.	GPS access is available.
The blue LED is off.	Standby mode If the GPS tracker is not (no longer) moved, the GPS signal switches off. As soon as the GPS tracker is

GPS-Tracker by Salind with ONLINE locating EN

© Salind UG (haftungsbeschränkt)

moved again, the GPS signal switches on again automatically.

Red LED - Battery level

SIGNAL	MEANING
The red LED is constantly sparkling	Device is loading.
The red LED sparkles	Device is on.

4. TECHNICAL DETAILS

Measures	90mm X 49,3mm X 16,7 mm
Length of cables	ca. 100 cm
GPS accuracy	Up to 5 meters
Standby time of the internal battery	About 1 day
Battery	3,7V 150mAh Li-ion
Time till start	Cold start: 1-3 min
	Standby: 35 s in use: 10 s
Weight	50 g without cable
Network	GSM/GPRS
Band	GSM 850 MHz (max. 2W) GSM 900 MHz (max. 2W) DCS 1800 MHz(max. 1W) PCS 1900 MHz(max. 1W)
GPS-Chip	UBLOX7020
GSM-/GPRS-Modul	MTK6261
GPS access	-159 dBm

GPS-Tracker by Salind with ONLINE locating EN

© Salind UG (haftungsbeschränkt)

5. SAFETY NOTES

Signal words

The following signal words are used in this manual:

WARNING! This classifies a hazard of medium risk level. Failure to comply with the warning could lead to serious injury.

Advice! This warns of possible damage to property.

Intended use

Read these safety instructions for this GPS tracker carefully before use to ensure that you can use it properly. The intended use is to use the GPS tracker only as described in this manual to locate an object or creature. Make sure that it is punishable to use a GPS tracker to monitor third parties without their consent. If you use it for any other

purpose, this is considered to be improper and may result in property damage or even personal injury. Please note that the GPS tracker is not a toy for children.

In other countries and regions, there are various laws governing the digital positioning and location of people, animals and/or objects. Salind UG is not responsible for not violating such laws or regulations, this will be brought solely to the user's attention.

Advice! The manufacturer and dealer assumes no liability for damage caused by improper use or misuse.

Safety

WARNING! ELECTROCUTION HAZARD!

A faulty electrical installation or a too high mains voltage can lead to an electric shock.

- Equal the mains voltage of the socket outlet with the indicated outlet on the nameplate.
- In order to disconnect the charging cable from the mains as quickly as possible, connect the power supply unit so that it is easily accessible.
- .Should you notice any visible damage to your GPS tracker or the charging cable, then do not use it.
- Only use the original parts for charging the tracker. If the charging cable has a damage, replace it with a original part from the manufacturer.
- Do not put the tracker in the near of fire or hot places.
- The tracker is not water resistant. Therefore, keep the tracker on dry places.
- The charging cable should be only used in indoors. Keep it away from moisture and do not bend it.

- Do not open the housing of the GPS tracker. Leave the repair to qualified specialists. However, if you carry out repairs on your own, liability and warranty claims are excluded.

Battery Operation

WARNING! EXPLOSION AND FIRE HAZARDS!

In the following you will get some information on the use of the battery:

- The GPS tracker is operated with a lithium battery. This battery can not be replaced.
- Do not put the GPS tracker generally and while charging next to hot places. This could lead to explosions.
- Use the original parts for charging the GPS tracker. If you use other parts, this can lead to several different damages.

GPS-Tracker by Salind with ONLINE locating EN
© Salind UG (haftungsbeschränkt)

- Do not burn or drill a hole in the GPS tracker. Protect it from mechanical damage.
- Do not remove the battery with pointed or sharp objects, do not drop, disassemble, or modify it.
- If a child swallows the battery, seek medical attention!
- Do not keep the GPS tracker next to metal objects.
- If you want to change the battery, please contact our support.

WARNING! BURN HAZARDS!

Batteries that leak due to damage can cause burns if they come into contact with the skin. Never open the battery. However, if the battery leaks, please wear protective gloves.

Electro magnetical compatibility

Please observe all rules and prohibitions and switch off the GPS tracker immediately in hazardous areas and if it may cause interference. Furthermore, it should not be used in the vicinity of, for example, medical devices, fuels and chemicals, or in blasting areas. Mobile devices may be subject to interference that may degrade performance. Transformers and very strong magnetic fields must be avoided. Otherwise, deviations in the transmission may occur. Failure to follow these instructions may result in malfunction or damage to the GPS tracker.

Cleaning

WARNING! DAMAGE RISK!

In the following you will get some information on cleaning the GPS tracker:

- Do not use any aggressive cleaning agents or brushes for cleaning. Do not treat the GPS tracker with metallic

GPS-Tracker by Salind with ONLINE locating EN

© Salind UG (haftungsbeschränkt)

cleaning objects (e. g. knife, metal sponge). This can damage the surface.

- Never put the GPS tracker into water, in a dishwasher (or similar) and do not use a steam cleaner.

Correct Cleaning:

1. The surface can be washed with a moist scarf.
2. The GPS tracker should be completely dry wished after that.

Note! Wrong handling of the GPS tracker can lead to damages.

Risks for kids and needy people

Please do not allow persons (including children) with limited physical, sensory or mental abilities to use the GPS tracker. It is an exception if you have previously received instructions on how to use the device from a person responsible for your safety. Take care not to play with small parts (e. g. accessories, etc.). This can be swallowed and lead to suffocation. Therefore, teach your child about the dangers and operation of the GPS tracker.

Storage

If you are not going to use the GPS tracker for a long period of time, turn it off. Then place the tracker in the original packaging or in a cardboard box of the same size. Protect the tracker from dirt and moisture. Keep it out of the reach of children.

Compliance declaration

Salind UG (haftungsbeschränkt) hereby declares that the Tracker radio system type, model GPS-Tracker 07, complies with Directive 2014/53/EU. The full text of the EU Declaration of Conformity is available at the following Internet address: www.salind-gps.de/konformitaetserklaerung/



Packaging disposal

Dispose the packaging sorted by type. Add cardboard to the waste paper and foils to the recyclables collection.



If you do not follow these notes there could be caused several damages.

5. NOTE TO THE DISPOSAL OF USED BATTERIES

The following notice is intended for those who use batteries or products with built-in batteries and no longer resell them in the form in which they were supplied (end users).

Redemption of used batteries

Batteries must not be disposed with household waste. You are legally obliged to return used batteries so that proper disposal

can be guaranteed. You can return used batteries to a municipal collection point or to local retailers. As a distributor of batteries, we are also obliged to take back old batteries, whereby our obligation to take back old batteries is limited only to the type of old batteries that we carry or have carried as new batteries in our range. Used batteries of the aforementioned type can therefore either be returned to us with sufficient postage or delivered free of charge directly to our dispatch warehouse at the following address:

Salind UG (haftungsbeschränkt)

Auf der Fuhr 3
51570 Windeck
Deutschland

E-Mail: info@salind-gps.de

GPS-Tracker by Salind with ONLINE locating EN

© Salind UG (haftungsbeschränkt)

Meaning of battery symbols

Batteries are marked with the symbol of a crossed-out dustbin (see figure below). This symbol indicates that batteries must not be disposed of with household waste. In the case of batteries containing more than 0.0005 mass percent mercury, more than 0.005 mass percent cadmium or more than 0.004 mass percent lead, the chemical name of the pollutant used is also shown under the waste bin symbol. The abbreviation "Cd" stands for cadmium,"Pb"; for lead, and "Hg"; for mercury.

6. NOTE FOR THE DISPOSAL OF ELECTRONIC DEVICES

The Electrical and Electronic Equipment Act (ElektroG) contains a large number of requirements for the handling of electrical

and electronic equipment. The most important ones are listed here.

1. Separate collection of old appliances

Electrical and electronic equipment that has become waste is referred to as waste equipment. Owners of old appliances are required to collect them separately from unsorted municipal waste. Old appliances in particular do not belong in household waste, but in special collection and return systems.

2. Batteries

As a rule, owners of waste equipment must separate waste batteries and accumulators which are not enclosed by the waste equipment from it before they are handed over at a collection point. This shall not apply if the waste equipment is handed over to

GPS-Tracker by Salind with ONLINE locating EN

© Salind UG (haftungsbeschränkt)

public waste management bodies and separated from other waste equipment there for the purpose of preparation for reuse.

3. Possibilities for the return of old equipment

Owners of waste equipment from private households can return it to the collection points of the public waste disposal authorities or to the collection points set up by manufacturers or distributors within the meaning of the ElektroG. You can find an online directory of collection and return points here: : <https://www.ear-system.de/ear-verzeichnis/sammel-und-ruecknahmestellen.jsf>

3. Privacy Notice

Old devices often contains sensitive personal data. This applies in particular to information and telecommunications technology devices such as computers and

GPS-Tracker by Salind with ONLINE locating EN

© Salind UG (haftungsbeschränkt)

smartphones. In your own interest, please note that each end user is responsible for deleting the data on the old devices to be disposed of.

4. Meaning of the symbol “crossed out bin”

The symbol of a crossed-out dustbin weist, which is regularly depicted on electrical and electronic equipment, indicates that at the end of its service life the equipment in question must be collected separately from unsorted municipal waste.

5. Manufacturer registration number

As a manufacturer in the meaning of ElektroG we are registered at the electro used devices under the following registration number (Benno-Strauß-Str. 1, 90763 Fürth):
DE33887550



Do you have any questions?

Please contact us, we will help you!

Salind UG (haftungsbeschränkt)
Auf der Fuhr 3
51570 Windeck
Deutschland

Mail: info@salind-gps.de
Telephone: +49 (0) 2292 39 499 59
Web: www.salind-gps.de

Best regards,
Your Salind-Team

GPS-Tracker by Salind with ONLINE locating EN
© Salind UG (haftungsbeschränkt)